

# NVR301-X-Series



## Key Features

- Support Ultra 265/H.265/H.264 video formats
- 4/8/16-channel input
- Support mainstream cameras of ONVIF conformance(Profile S, Profile G, Profile T ) and RTSP protocols
- Support 1-ch HDMI, 1-ch VGA
- HDMI and VGA simultaneous output
- Up to 4K resolution recording
- 1 SATA HDD up to 8TB
- Support cloud upgrade

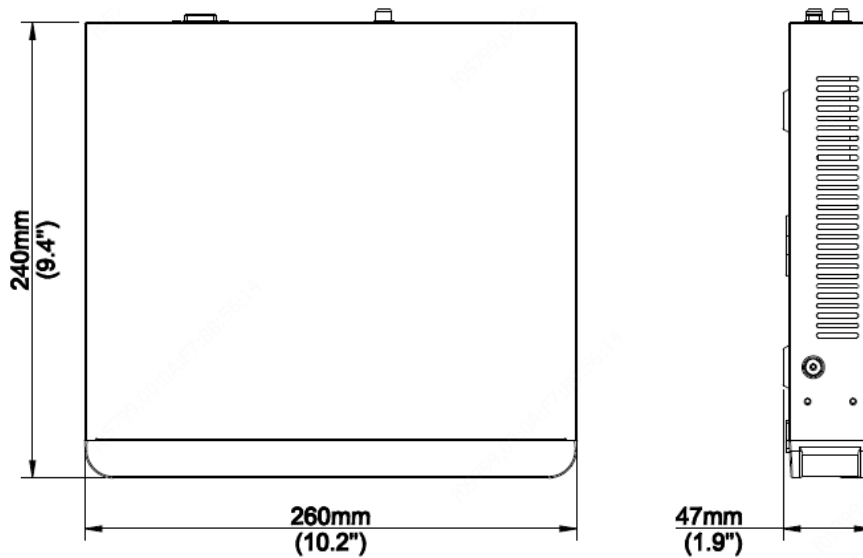
## Specifications

| Model                     | NVR301-04X  | NVR301-08X | NVR301-16X |
|---------------------------|---|------------|------------|
| <b>Video/Audio Input</b>  |   |            |            |
| IP Video Input            | 4-ch  | 8-ch       | 16-ch      |
| Two-way Audio Input       | 1-ch, RCA   |            |            |
| <b>Network</b>            |   |            |            |
| Incoming Bandwidth        | 64Mbps  |            |            |
| Outgoing Bandwidth        | 64Mbps  |            |            |
| Remote Users              | 128   |            |            |
| Protocols                 | TCP/IP, P2P, UPnP, NTP, DHCP, PPPoE, HTTP, HTTPS, DNS, DDNS, SNMP, SMTP   |            |            |
| Browser                   | IE(IE10/11) for Windows<br>Firefox (version 52.0 and above) for Windows<br>Chrome(version 45 and above) for Windows<br>Edge(version 79 and above) for Windows |            |            |
| <b>Video/Audio Output</b> |   |            |            |
| HDMI/VGA Output           | HDMI:<br>3840x2160/30Hz, 1920x1080p/60Hz, 1920x1080p/50Hz, 1600x1200/60Hz, 1280x1024/60Hz,  |            |            |

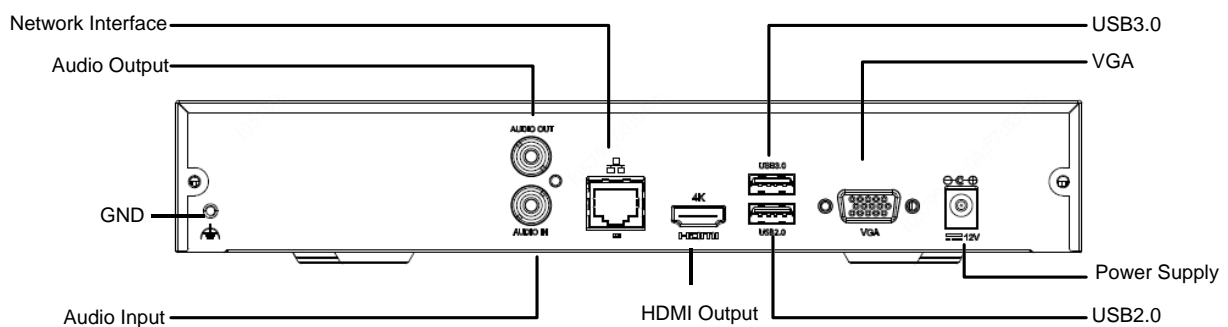
|   |  |            |                    |
|---|--|------------|--------------------|
|   | 1280x720/60Hz, 1024x768/60Hz<br>VGA:<br>1920x1080p/60Hz, 1920x1080p/50Hz, 1600x1200/60Hz, 1280x1024/60Hz, 1280x720/60Hz, 1024x768/60Hz   |            |                    |
| Recording Resolution                            | 8MP/5MP/4MP/3MP/1080p/960p/720p/D1/2CIF/CIF  |            |                    |
| Audio Output                                    | 1-ch, RCA  |            |                    |
| Audio Compression                               | G.711A, G.711U   |            |                    |
| Synchronous Playback                            | 4-ch   | 8-ch       | 16-ch              |
| Liveview display                                | 1/4  | 1/4/6/8/9  | 1/4/6/8/9/16       |
| Corridor Mode Screen                            | 3/4  | 3/4/5/7/9  | 3/4/5/7/9/10/12/16 |
| <b>Snapshot</b>                                 |  |            |                    |
| FTP/Schedule/Event Snapshot                     | 4-ch snapshot, up to D1 resolution   |            |                    |
| <b>Decoding</b>                                 |  |            |                    |
| Decoding format                                 | Ultra 265/H.265/H.264  |            |                    |
| Liveview/Playback                               | 8MP/5MP/4MP/3MP/1080p/960p/720p/D1/2CIF/CIF  |            |                    |
| Capability                                      | 2 x 4K@30, 3 x 5MP@30, 4 x 4MP@30, 5 x 3MP@30, 8 x 1080p@30, 16 x 720p@30  |            |                    |
| <b>Hard Disk</b>                                |  |            |                    |
| SATA  | 1 SATA interface   |            |                    |
| Capacity  | Up to 8TB for each disk<br>(The maximum HDD capacity varies with environment temperature)  |            |                    |
| <b>Smart</b>                                    |  |            |                    |
| VCA Detection by Camera                         | Intrusion Detection, Cross Line Detection, Enter Area, Leave Area, Defocus Detection, Scene Change Detection, Object Left Behind, Object Removed, Auto Tracking, Ultra Motion Detection(UMD) |            |                    |
| VCA Search                                      | Behavior Search  |            |                    |
| People counting                                 | People Flow Counting, Crowd Density Monitoring   |            |                    |
| Smart Intrusion Prevention (SIP), UMD by Camera | Total 4-ch   | Total 8-ch |                    |
| <b>General Alarm</b>                            |  |            |                    |
| General Alarm                                   | Motion, Tampering, Human Body Detection, Video Loss, Alarm Input, Audio Detection  |            |                    |
| Alert Alarm                                     | IP Conflict, Network Disconnected, Disk Offline, Disk Abnormal, Illegal Access, Hard Disk Space Low, Hard Disk Full, Recording/Snapshot Abnormal   |            |                    |
| <b>External Interfac</b>                        |  |            |                    |
| Network Interface                               | 1 RJ45 10M/100M self-adaptive Ethernet Interface   |            |                    |
| USB Interface                                   | Rear panel: 1 x USB2.0, 1 x USB3.0   |            |                    |
| RS232   | NA   |            |                    |
| RS485   | NA   |            |                    |
| Alarm In  | NA   |            |                    |
| Alarm Out                                       | NA   |            |                    |
| <b>General</b>                                  |  |            |                    |
| Power Supply                                    | 12V DC<br>Power Consumption: ≤8 W (without HDD)  |            |                    |
| Working Environment                             | -10°C ~ +55°C (+14°F ~ +131°F), Humidity ≤ 90% RH (non-condensing)   |            |                    |

|                      |  |
|----------------------|--|
| Dimensions (WxDxH)   | 260mm × 240mm × 47mm (10.2"×9.4"×1.9 ")                                    |
| Weight (without HDD) | 1.3kg (2.87 lb)  |
| <b>Certification</b> |  |
| Certification        | CE, FCC, UL, RoHS, WEEE  |
| CE                   | EN 55032: 2015, EN 61000-3-3: 2013, EN IEC 61000-3-2: 2019, EN 55035: 2017 |
| FCC                  | Part15 Subpart B, ANSI C63.4   |

## Dimensions



## Rear Panel



### Zhejiang Uniview Technologies Co., Ltd.

Building No.10, Wanlun Science Park, Jiangling Road 88, Binjiang District, Hangzhou, Zhejiang, China

Email: [overseasbusiness@uniview.com](mailto:overseasbusiness@uniview.com); [globalsupport@uniview.com](mailto:globalsupport@uniview.com)

<http://www.uniview.com>

©2019-2022 Zhejiang Uniview Technologies Co., Ltd. All rights reserved.

\* Product specifications and availability are subject to change without notice.